

ABSOLUTE Digimatic Depth Gage

SERIES 571

FEATURES

- ABSOLUTE Digimatic Depth Gage can keep track of the origin point once set for the entire life of the battery.
- Base and measuring faces are hardened and micro-lapped.
- Optional wider extension base are available. (up to 450mm range models)
- With SPC data output.



SPECIFICATIONS

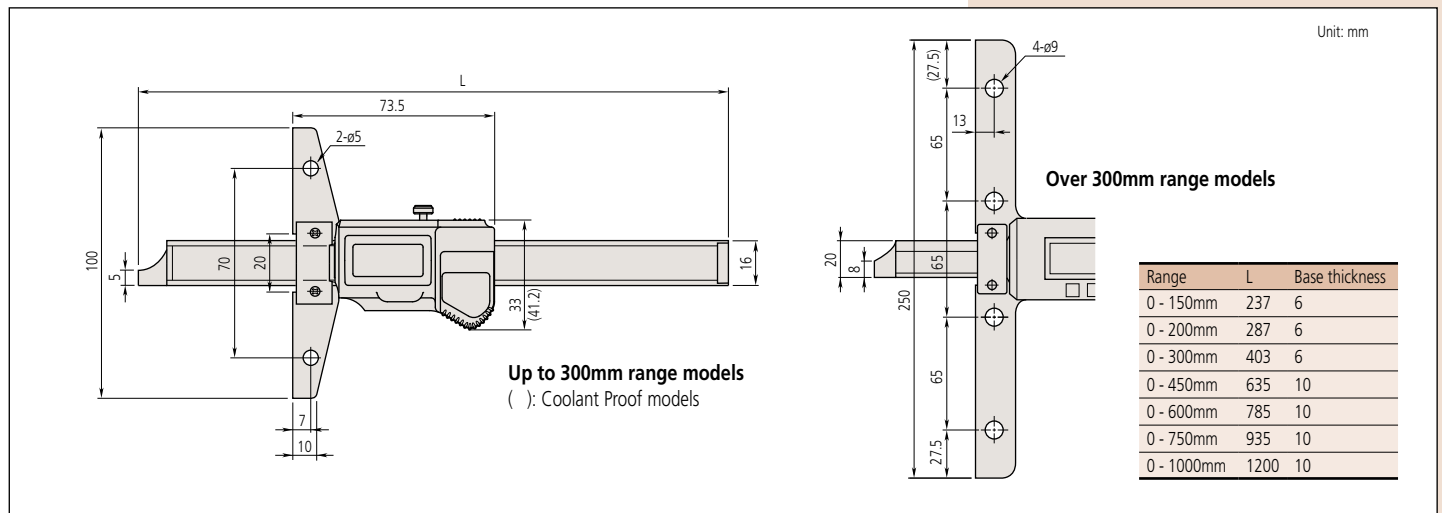
Metric		
Range	Order No.	Base (W x T)
0 - 150mm	571-201-20 / 571-251-10*	100 x 6mm
0 - 200mm	571-202-20 / 571-252-10*	100 x 6mm
0 - 300mm	571-203-20	100 x 6mm
0 - 450mm	571-204-10	250 x 10mm
0 - 600mm	571-205-10	250 x 10mm
0 - 750mm	571-206-10	250 x 10mm
0 - 1000mm	571-207-10	250 x 10mm

*IP67 Coolant Proof model

Inch/Metric		
Range	Order No.	Base (W x T)
0 - 6"	571-211-20 / 571-261-10*	3.93" x .23"
0 - 8"	571-212-20 / 571-262-10*	3.93" x .23"
0 - 12"	571-213-10	3.93" x .23"
0 - 18"	571-214-10	9.8" x .39"
0 - 24"	571-215-10	9.8" x .39"
0 - 30"	571-216-10	9.8" x .39"
0 - 40"	571-217-10	9.8" x .39"

*IP67 Coolant Proof model

DIMENSION



(Refer to the page 9 for details.)



(Refer to the page 9 for details.)

Technical Data

Accuracy: $\pm 0.02\text{mm}$ ($\leq 200\text{mm}$), $\pm 0.03\text{mm}$ ($\leq 300\text{mm}$), $\pm 0.05\text{mm}$ ($\leq 600\text{mm}$), $\pm 0.06\text{mm}$ ($\leq 750\text{mm}$), $\pm 0.07\text{mm}$ ($\leq 1000\text{mm}$) (excluding quantizing error)

Resolution: 0.01mm or .0005"/0.01mm

Repeatability: 0.01mm

Display: LCD

Length standard: ABSOLUTE electrostatic capacitance (electromagnetic induction)* type linear encoder

Max. response speed: Unlimited

Battery: SR44 (1 pc.), **938882**

Battery life: Approx. 20,000 hours (3 years)* under normal use

Dust/Water protection level: IP67*

*Coolant Proof models

Function

Origin-set, Zero-setting, Automatic power on/off, Data output, inch/mm conversion (inch/mm models)

Alarm: Low voltage, Counting value composition error

Optional Accessory

- 959143:** Data hold unit
- 959149:** SPC cable with data switch (1m)
- 959150:** SPC cable with data switch (2m)
- 05CZA624:** SPC cable with data switch (1m)*
- 05CZA625:** SPC cable with data switch (2m)*
- : Extension base (see page 179.)

*For Coolant Proof models



Measurement data output function is available with a water-resistant SPC cable.