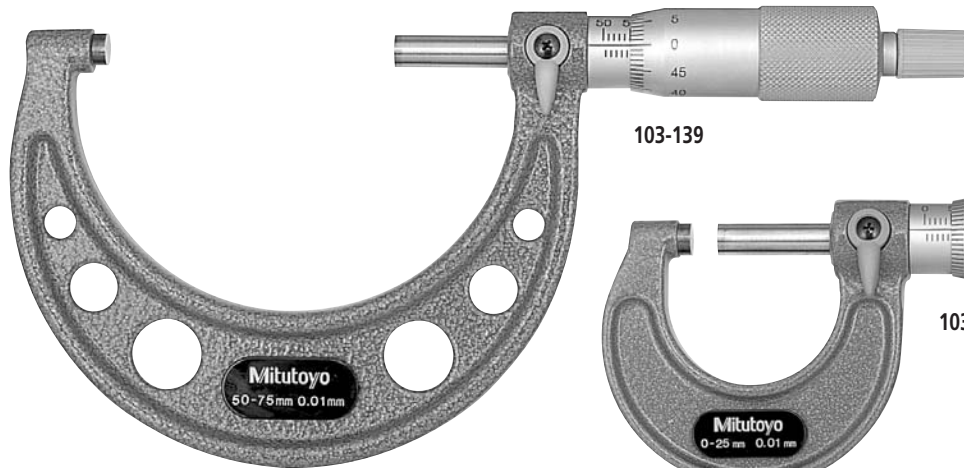
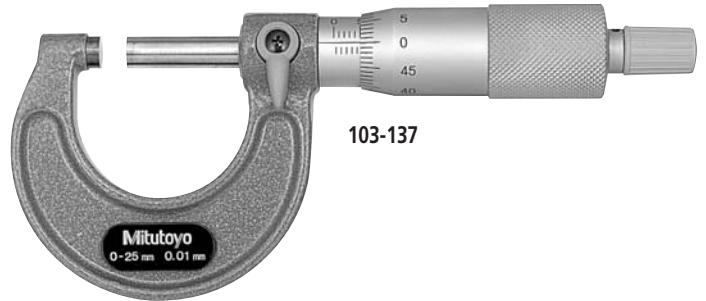


Outside Micrometers

SERIES 103



103-139



103-137

FEATURES

- Hammertone-green, baked-enamel-finished frame.
- Carbide-tipped measuring faces.
- Clear graduations on satin-chrome finish.
- Positive locking clamp.
- Ratchet Stop or Friction Thimble for exact repetitive readings.
- Provided with a standard except for 25mm (1") model.

SPECIFICATIONS

Metric		With ratchet stop	
Range	Order No.	Graduation	Accuracy
0 - 25mm	103-137	0.01mm	±2μm
	103-129	0.001mm	±2μm
25 - 50mm	103-138	0.01mm	±2μm
	103-130	0.001mm	±2μm
50 - 75mm	103-139-10	0.01mm	±2μm
75 - 100mm	103-140-10	0.01mm	±3μm
100 - 125mm	103-141-10	0.01mm	±3μm
125 - 150mm	103-142-10	0.01mm	±3μm
150 - 175mm	103-143-10	0.01mm	±4μm
175 - 200mm	103-144-10	0.01mm	±4μm
200 - 225mm	103-145-10	0.01mm	±4μm
225 - 250mm	103-146-10	0.01mm	±5μm
250 - 275mm	103-147-10	0.01mm	±5μm
275 - 300mm	103-148-10	0.01mm	±5μm
300 - 325mm	103-149	0.01mm	±6μm
325 - 350mm	103-150	0.01mm	±6μm
350 - 375mm	103-151	0.01mm	±6μm
375 - 400mm	103-152	0.01mm	±7μm
400 - 425mm	103-153	0.01mm	±7μm
425 - 450mm	103-154	0.01mm	±7μm
450 - 475mm	103-155	0.01mm	±8μm
475 - 500mm	103-156	0.01mm	±8μm

(Models with a range up to 1000mm are available.)

Measuring faces

- Flatness: 0.6μm (.000024") for models up to 300mm (12")
1μm (.00004") for models over 300mm (12")
 - Parallelism: $(2+L/100)\mu\text{m}$ $[(.00008+.00004(L/4))"]^*$
- *L=Maximum measuring length (mm) [(inch)], Fraction rounded down

Inch		With ratchet stop	
Range	Order No.	Graduation	Accuracy
0 - 1"	103-177	.001"	±.0001"
	103-131	.0001"	±.0001"
1" - 2"	103-178	.001"	±.0001"
	103-132	.0001"	±.0001"
2" - 3"	103-179	.001"	±.0001"
3" - 4"	103-180	.001"	±.00015"
4" - 5"	103-181	.001"	±.00015"
5" - 6"	103-182	.001"	±.00015"
6" - 7"	103-183	.001"	±.0002"
7" - 8"	103-184	.001"	±.0002"
8" - 9"	103-185	.001"	±.0002"
9" - 10"	103-186	.001"	±.00025"
10" - 11"	103-187	.001"	±.00025"
11" - 12"	103-188	.001"	±.00025"
12" - 13"	103-189	.001"	±.0003"
13" - 14"	103-190	.001"	±.0003"
14" - 15"	103-191	.001"	±.0003"
15" - 16"	103-192	.001"	±.00035"
16" - 17"	103-193	.001"	±.00035"
17" - 18"	103-194	.001"	±.00035"
18" - 19"	103-195	.001"	±.0004"
19" - 20"	103-196	.001"	±.0004"

(Models with a range up to 40" are available.)

Note: 0.001mm (.0001") reading is obtained with vernier.

Metric		With friction thimble	
Range	Order No.	Graduation	Accuracy
0 - 25mm	103-125	0.01mm	±2μm
	103-133	0.001mm	±2μm
25 - 50mm	103-126	0.01mm	±2μm

Inch		With friction thimble	
Range	Order No.	Graduation	Accuracy
0 - 1"	103-127	.001"	±.0001"
	103-135T	.0001"	±.0001"
1" - 2"	103-128	.001"	±.0001"
	103-136T	.0001"	±.0001"

Note: 0.001mm (.0001") reading is obtained with vernier.